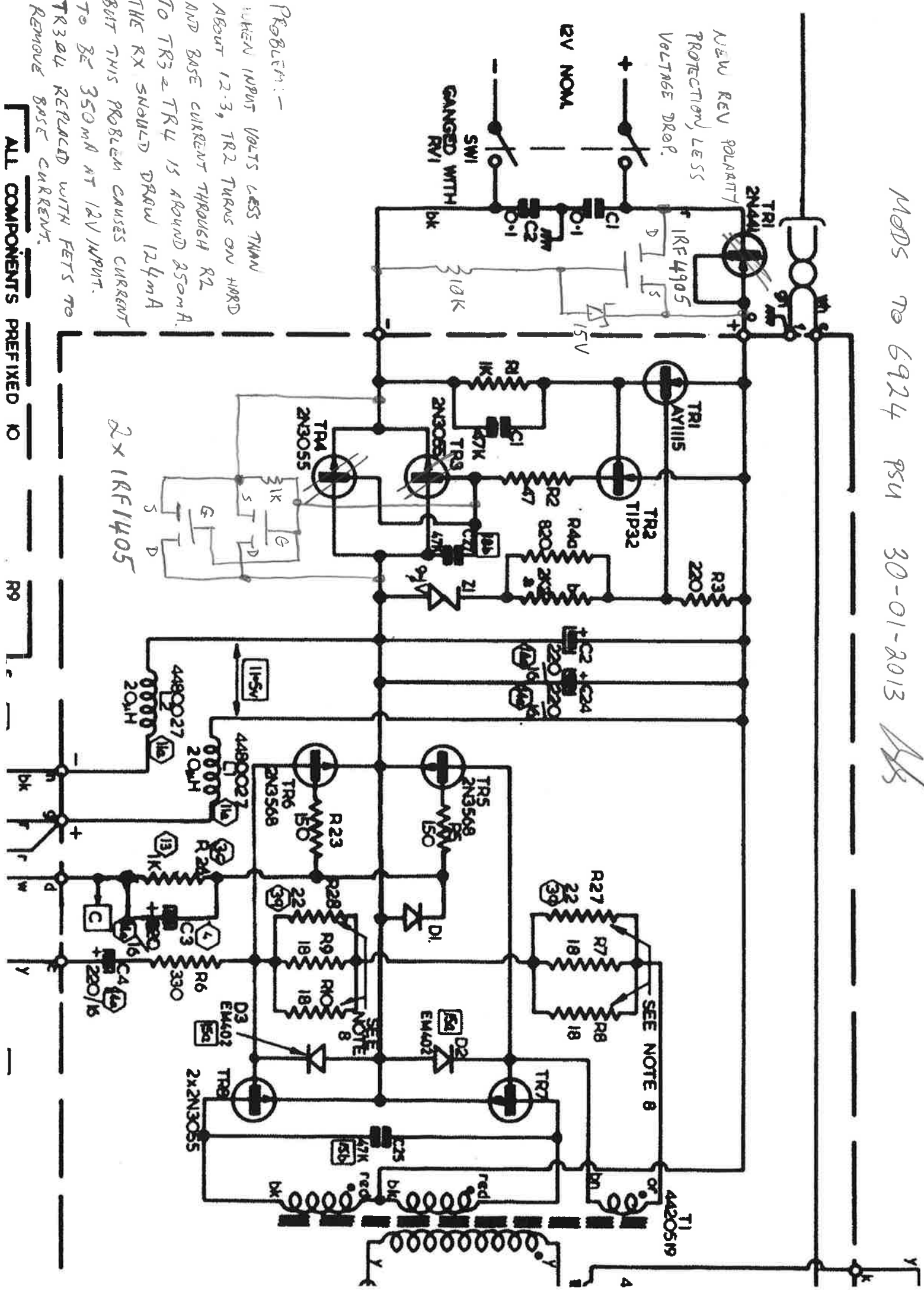
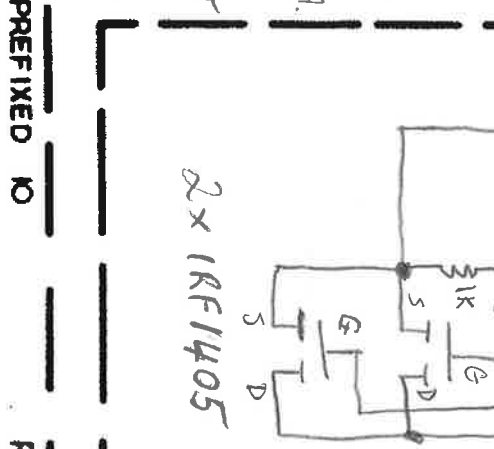


MDS No 6924 PSU 30-01-2013 AS



PROBLEM:-
 TAKEN INPUT VOLTS LESS THAN
 ABOUT 12-3, TR2 TURNS ON HARD
 AND BASE CURRENT THROUGH R2
 TO TR3-TR4 IS AROUND 250mA.
 THE RX SHOULD DRAW 124mA
 BUT THIS PROBLEM CAUSES CURRENT
 TO BE 350mA AT 12V INPUT.
 TR3&4 REPLACED WITH FETS TO
 REMOVE BASE CURRENT.



ALL COMPONENTS PREFIXED TO
 R9